



HANGCHA FORKLIFT CANADA INC.

Company address:
100-3801 F.-X.-Tessier,
Vaudreuil-Dorion, QC J7V 5V5

Toll Free: 877-319-HCFC (4232)
Landline: 450-319-HCFC

info@hcforkliftcanada.com
www.hcforkliftcanada.com



ISO14001
ISO14001:2015



ISO9001
ISO9001:2015



Follow us on
Facebook



Follow us on
YouTube



Follow us on
WeChat



Download "Hangcha
Forklift" App

2024 VERSION 11/COPYRIGHT 2024/08

HANGCHA GROUP CO., LTD. reserves the right to make any changes without notice concerning colors, equipment, or specifications detailed in this brochure, or to discontinue individual models. The colors of trucks, delivered may differ slightly from those in brochures.



XF Series Compact Pneumatic Tire Forklift

with capacities of 5,000lbs

The World of Hangcha



CONCEPT

As a part of the XF series from Hangcha Group, the Compact Pneumatic Tire Forklift is designed to meet the needs of warehouses, distribution centers, and manufacturing facilities. Being pneumatic, this forklift offers the ability to operate both indoors and outdoors. The Compact Pneumatic forklift offers a 5,000lb lifting capacity. This forklift also benefits from the latest in efficiency, comfort, and safety technology to make it an extremely reliable forklift. This is the XF Series Compact Pneumatic Tire Forklift from Hangcha Group.



LED Light System and Environmentally-Friendly Materials



LED lights are used throughout the entire truck. The lights are energy efficient, have a longer service life, and offer a significant increase in performance.

Environmentally-friendly materials are also used throughout the truck to minimize environmental damage and impact.

Large LCD Instrument Panel



The instrument display is made up of a 4" color LCD screen with four interactive buttons and one CAN bus communication function. The communication protocol is compatible with CANopen and SAE J1939 standards.





The Wide View Mast Offers Better Visibility

The mast has been redesigned to include new types of steel channels and a new mast system. This was done to increase forward visibility for the operator.



Low LPG Fuel Warning Indicator

The New Integrated Fuse Box

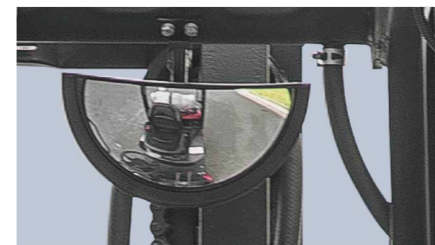
The next generation of integrated fuse box has been added to the truck. It offers a better layout, ease of service and maintenance, and is waterproof.

The entire truck is equipped with waterproof connectors to increase the electronics' reliability.



Panoramic Rearview Mirror

The panoramic rearview mirror allows the operator to have wider rear visibility when operating the forklift.



Reliable Hydraulic System

The hydraulic system has a longer service life and an increase in efficiency thanks to the optimized hydraulic breather structure with a built-in return oil filter and the load-sensing hydraulic steering system.

Optimized Cooling System

The cooling system has been designed to maximize cooling and increase the reliability of the engine when working under heavy loads. This system uses an aluminum radiator, an independent oil cooler, an optimized heat transfer channel, and a dual-hole counterweight to increase cooling efficiency.





Ergonomic Design

The small diameter, adjustable steering wheel, electro-hydraulic steering, and the combination switch increase the ease of operation and operator comfort substantially.



Swing-Out LP Bracket

The swing-out LP cylinder holder makes replacing the LP cylinder and opening the maintenance hatch for service easy.



Maintenance Hatch with a Safety Latch

The maintenance hatch opens wide enough to provide easy serviceability of key components. The safety latch prevents the hatch from compromising operator safety when using the truck.



North American EPA Certified Engines

The GCT GK25 engine is in compliance with the North American EPA emissions standards. Although it meets these standards, the engine still has the power and torque to get the job done. This engine is also electronically controlled to increase the fuel economy and the reliability of the trucks.



Large Handgrip

The large handgrip on the overhead guard is designed to allow the operator to get in and out of the truck safer and easier.



High-Strength Overhead Guard

The overhead guard is fabricated with specially shaped steel tubes to increase its structural rigidity and strength. It is also designed to be easily disassembled and reassembled for repairs. The guard features a flexible connection between it and the chassis to decrease vibrations. All of these features are responsible for increased operator safety and comfort.



Steering Axle

The steering axle uses large conical bearings on the master pin, buffer blocks, and a large-diameter steering cylinder to substantially increase the reliability and service life of the steering system.



OKAMURA Transmission

The world-renowned OKAMURA transmission comes standard in our XF Series Compact Pneumatic Tire Forklift. This transmission was chosen as a part of our forklift's design for its reliability. The gear pump is also extremely efficient.

Standard Configuration

- / Traction Unit
- / Small Diameter Steering Wheel
- / Integrated Combination Switch
- / Extended Hand Grip
- / Adjustable Steering Wheel
- / Mechanical Parking Brake (with self-lock)
- / Suspension Seat with Safety Belt
- / Large-Capacity Aluminum Radiator
- / Dynamic Load Sensing System
- / Suspension Integrated Overhead Guard
- / Whirlwind High-Efficiency Air Filter
- / Hydraulic Oil Suction Filter
- / Rain Cover for Overhead Guard
- / Safe Filter Element
- / Inclined Oil Way Latching Valve
- / Panoramic Rear View Mirror
- / Highly Efficient Exhaust Muffler
- / Hydraulic Oil Dipstick
- / Compact Pneumatic Tires
- / Access/Exit Safe Step
- / Highly Efficient LED Combination Front and Rear Lamps
- / Large Rubber Pedal Pad
- / Full Floating Transmission
- / Maintenance-Free Battery
- / Transmission Oil Filter
- / Hydraulic Oil Return Oil Filter
- / Combined LCD Display
- / Gearbox Dipstick
- / Maintenance Hatch Spring
- / Integrated Controller
- / Gearbox Oil Cooler
- / Clipboard
- / Alarm Light
- / Non-Asbestos Brake System
- / Electro-Hydraulic Steering
- / Charging Reminder
- / Load-Sensing Steering System
- / Suspended Operation Pedal
- / Oil Gauge
- / Water Thermometer
- / Cup Holder
- / Preheating Indication
- / Wide View Mast
- / Charge Indicator
- / Standard Forks
- / Timer
- / Standard Carriage
- / Standard Back Rest
- / Engine Oil Pressure Alarm
- / Gearbox Oil Temperature Alarm
- / Maintenance Reminder
- / Load Safety Valve
- / Horn
- / Soft Landing System
- / Reverse Buzzer
- / Mast Lifting Buffer Device
- / Tilt Piston Rod Jacket
- / Fan Protector
- / Front Acoustic Hood of Steering Wheels
- / Low LPG Fuel Warning Indicator
- / Soundproof Pad on the Maintenance Hatch
- / Swing-Out LP Bracket
- / Speed Control Switch
- / Operator Presence Sensing System (OPS)



Options

- / LED Rear Working Light
- / Auxiliary Hydraulic Valve Group
- / Rear Grip with Horn
- / Fire Extinguisher
- / High-Low Overhead Guard
- / Radiator Screen
- / Pre-Cleaner
- / Wider Carriage
- / Specialty Forks
- / Various Specialty Accessories



Compact 5000lb XF Series Mast:

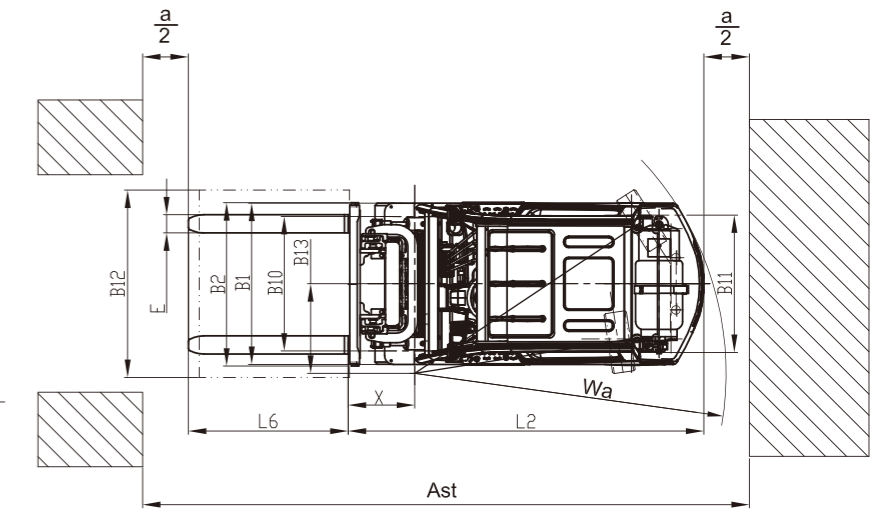
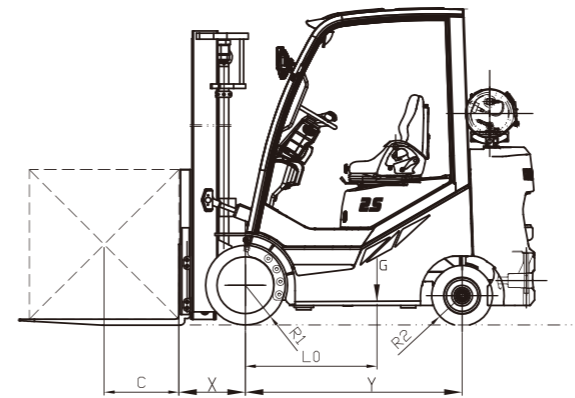
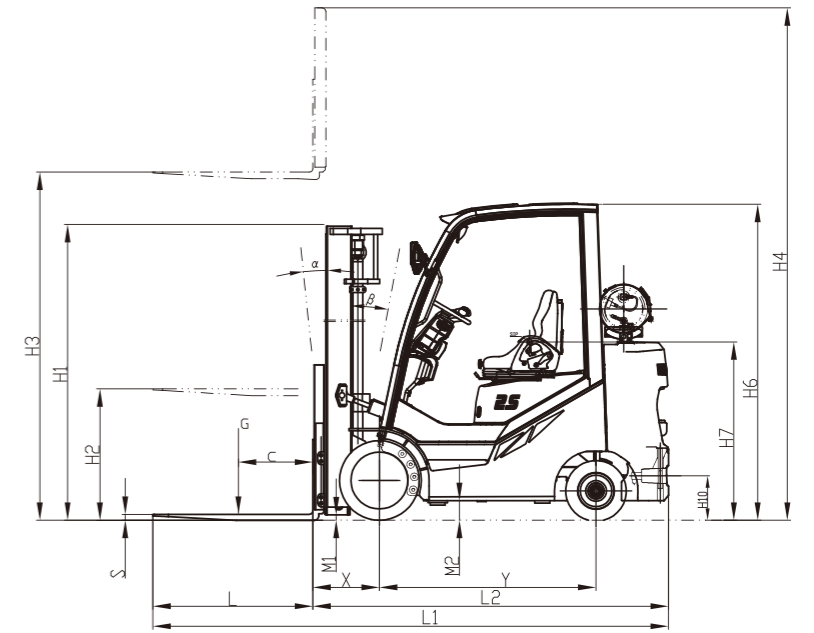
Type	Model	Max. Fork Height in (mm)	Overall Height				Free Lift		Front Overhang in (mm)	Tilt Range FIR (°)	Capacity		
			Lowered in (mm)	Extended		Without Backrest in (mm)	With Backrest in (mm)	Front Overhang in (mm)			FIR (°)	Load Capacity at 24 in (600mm)	
				Without Backrest in (mm)	With Backrest in (mm)							5000lb(2.25t) lb(kg)	
Limited Free Lift 2 Stage Mast	XFC25M200	78.7 (2000)	57.9 (1470)	106 (2692)	119.9 (3046)	5.5 (140)	5.5 (140)	16.8 (427)	6:10	5000 (2250)			
	XFC25M250	98.4 (2500)	67.7 (1720)	125.7 (3192)	139.6 (3546)	5.5 (140)	5.5 (140)	16.8 (427)	6:10	5000 (2250)			
	XFC25M270	106.3 (2700)	71.7 (1820)	133.5 (3392)	147.5 (3746)	5.5 (140)	5.5 (140)	16.8 (427)	6:10	5000 (2250)			
	XFC25M300	118.1 (3000)	77.6 (1970)	145.4 (3692)	159.3 (4046)	5.5 (140)	5.5 (140)	16.8 (427)	6:10	5000 (2250)			
	XFC25M330	129.9 (3300)	83.5 (2120)	156.8 (3992)	171.1 (4346)	5.5 (140)	5.5 (140)	16.8 (427)	6:10	5000 (2250)			
	XFC25M350	137.8 (3500)	87.4 (2220)	157.2 (4192)	179 (4546)	5.5 (140)	5.5 (140)	16.8 (427)	6:10	5000 (2250)			
	XFC25M360	141.7 (3600)	91.3 (2320)	169 (4292)	182.9 (4646)	5.5 (140)	5.5 (140)	16.8 (427)	6:10	5000 (2250)			
	XFC25M400	157.5 (4000)	101.2 (2570)	184.7 (4692)	198.7 (5046)	5.5 (140)	5.5 (140)	16.8 (427)	6:10	5000 (2250)			
	XFC25M430	169.3 (4300)	107.1 (2720)	196.5 (4992)	210.5 (5346)	5.5 (140)	5.5 (140)	16.8 (427)	6:6	5000 (2250)			
	XFC25M450	177.2 (4500)	111 (2820)	204.4 (5192)	218.3 (5546)	5.5 (140)	5.5 (140)	16.8 (427)	6:6	4850 (2200)			
Full Free Lift 2 Stage Mast	XFC25M470	185 (4700)	115 (2920)	212.3 (5392)	226.2 (5746)	5.5 (140)	5.5 (140)	16.8 (427)	6:6	4350 (1950)			
	XFC25M480	189 (4800)	116.9 (2970)	216.2 (5492)	230.2 (5846)	5.5 (140)	5.5 (140)	16.8 (427)	6:6	4350 (1950)			
	XFC25M500	196.9 (5000)	120.9 (3070)	224.1 (5692)	238 (6046)	5.5 (140)	5.1 (130)	16.8 (427)	6:6	/			
	XFC25U200	78.7 (2000)	57.9 (1470)	103.2 (2622)	119.9 (3046)	33.4 (848)	16.7 (424)	16.8 (427)	6:10	5000 (2250)			
	XFC25U250	98.4 (2500)	67.7 (1720)	123 (3122)	139.6 (3546)	43.2 (1098)	26.5 (674)	16.8 (427)	6:10	5000 (2250)			
	XFC25U270	106.3 (2700)	71.7 (1820)	130.8 (3322)	147.5 (3746)	47.2 (1198)	30.5 (774)	16.8 (427)	6:10	5000 (2250)			
	XFC25U300	118.1 (3000)	77.6 (1970)	142.6 (3622)	159.3 (4046)	53.1 (1348)	36.4 (924)	16.8 (427)	6:10	5000 (2250)			
	XFC25U330	129.9 (3300)	83.5 (2120)	154.4 (3922)	171.1 (4346)	59 (1498)	42.2 (1074)	16.8 (427)	6:10	5000 (2250)			
	XFC25U350	137.8 (3500)	87.4 (2220)	162.3 (4122)	179 (4546)	62.9 (1598)	46.2 (1174)	16.8 (427)	6:10	5000 (2250)			
	XFC25U360	141.7 (3600)	89.4 (2270)	166.2 (4222)	182.9 (4646)	64.9 (1648)	48.2 (1224)	16.8 (427)	6:10	5000 (2250)			
Full Free Lift 3 Stage Mast	XFC25U400	157.5 (4000)	99.2 (2520)	182 (4622)	198.7 (5046)	74.7 (1898)	58 (1474)	16.8 (427)	6:10	5000 (2250)			
	XFC25N400	157.5 (4000)	73.6 (1870)	182 (4622)	198.7 (5046)	49.1 (1248)	32.4 (824)	17.0 (431)	6:6	5000 (2250)			
	XFC25N430	169.3 (4300)	77.6 (1970)	193.8 (4922)	210.5 (5346)	53.1 (1348)	36.4 (924)	17.0 (431)	6:6	4850 (2200)			
	XFC25N450	177.2 (4500)	79.5 (2020)	201.7 (5122)	218.3 (5546)	55 (1398)	38.3 (974)	17.0 (431)	6:6	4500 (2050)			
	XFC25N470	185 (4700)	82.4 (2095)	209.5 (5322)	226.2 (5746)	58 (1473)	41.3 (1049)	17.0 (431)	6:6	4350 (1950)			
	XFC25N480	189 (4800)	83.5 (2120)	213.5 (5422)	230.2 (5846)	59 (1498)	42.2 (1074)	17.0 (431)	6:6	4350 (1950)			
	XFC25N500	196.9 (5000)	86.4 (2195)	221.3 (5622)	238 (6046)	62 (1573)	45.2 (1149)	17.0 (431)	6:6	/			
	XFC25N550	216.5 (5500)	93.3 (2370)	241 (6122)	257.7 (6546)	68.8 (1748)	52.1 (1324)	17.0 (431)	3:6	/			
	XFC25N600	236.2 (6000)	101.2 (2570)	260.7 (6622)	277.4 (7046)	76.7 (1948)	60 (1524)	17.0 (431)	3:6	/			
	Quad Mast*	XFC25D400	157.5 (4000)	73.6 (1870)	182 (4622)	198.7 (5046)	49.1 (1248)	32.4 (824)	17.0 (431)	6:6	5000 (2250)		
XFC25D430		169.3 (4300)	77.6 (1970)	193.8 (4922)	210.5 (5346)	53.1 (1348)	36.4 (924)	17.0 (431)	6:6	4850 (2200)			
XFC25D450		177.2 (4500)	79.5 (2020)	201.7 (5122)	218.3 (5546)	55 (1398)	38.3 (974)	17.0 (431)	6:6	4500 (2050)			
XFC25D470		185 (4700)	82.4 (2095)	209.5 (5322)	226.2 (5746)	58 (1473)	41.3 (1049)	17.0 (431)	6:6	4350 (1950)			
XFC25D480		189 (4800)	83.5 (2120)	213.5 (5422)	230.2 (5846)	59 (1498)	42.2 (1074)	17.0 (431)	6:6	4350 (1950)			
XFC25D500		196.9 (5000)	86.4 (2195)	221.3 (5622)	238 (6046)	62 (1573)	45.2 (1149)	17.0 (431)	6:6	/			
XFC25D550	216.5 (5500)	93.3 (2370)	241 (6122)	257.7 (6546)	68.8 (1748)	52.1 (1324)	17.0 (431)	3:6	/				
XFC25D600	236.2 (6000)	101.2 (2570)	260.7 (6622)	277.4 (7046)	76.7 (1948)	60 (1524)	17.0 (431)	3:6	/				

With sideshifter, subtract 300lbs (150kg). With integral sideshifter, subtract 200lbs (100kg).
*Forklifts equipped with the Quad Mast require a Class II carriage and forks.

XF Series Compact Pneumatic Tire Forklift 5000lb Specification

Distinguishing Marks	1.1	Manufacturer		HANGCHA GROUP CO.,LTD.	
		HCFA Model		FP25CP	
	1.2	Manufacturer's Type Designation		CPYD25-XW71B1-JC	
	1.3	Drive: electric (battery or mains), diesel, petrol, fuel gas		LP	
	1.4	Operator Type: hand, pedestrian, standing, seated, order-picker		Seated	
	1.5	Rated Capacity/Rated Load	Q	lb (kg)	5000(2250)
	1.6	Load Centre Distance	c	in(mm)	24(600)
	1.7	Load Distance, centre of drive axle to fork	x	in(mm)	16.8(427)
Weight	1.8	Wheelbase	y	in (mm)	58.3(1480)
	2.1	Service Weight		lb(kg)	8201(3720)
	2.2	Axle Loading, laden front/rear		lb(kg)	11640/1521 (5280/690)
Tires & Chassis	2.3	Axle Loading, unladen front/rear		lb(kg)	3219/4982 (1460/2260)
	3.1	Tires: solid rubber, superelastic, pneumatic, polyurethane			Solid
	3.2	Tire Size, front			21×8-9
	3.3	Tire Size, rear			18×7-8
	3.4	Wheels, number front / rear (x = driven wheels)			2×/2
	3.5	Tread, front	b10	in (mm)	38.9(985)
Dimensions	3.6	Tread, rear	b11	in(mm)	36.6(930)
	4.1	Tilt of Mast/Fork Carriage Forward/Backward	α/β	(°)	6/10
	4.2	Height, mast lowered	h1	in (mm)	77.6(1970)
	4.3	Free Lift	h2	in(mm)	5.5(140)
	4.4	Lift	h3	in (mm)	118.1(3000)
	4.5	Height, mast extended	h4	in (mm)	159.3(4046)
	4.6	Height of Overhead Guard	h6	in (mm)	83.3(2115)
	4.7	Seat Height Relating to SIP	h7	in (mm)	41.7(1060)
	4.8	Coupling Height	h10	in (mm)	11.8(300)
	4.9	Overall Length	l1	in (mm)	135.3(3437)
	4.10	Length to Face of Forks	l2	in (mm)	93.2(2367)
	4.11	Overall width (without backrest)	b1	in(mm)	45.9(1165)
	4.12	Fork Dimensions	s/e/l	in (mm)	1.6×4.8×42(40×122×1070)
	4.13	Fork Carriage DIN 15 173 --- ISO 2328, class/type A,B			Class A*
	4.14	Backrest Width	b2	in (mm)	43(1094)
	4.15	Fork-Carriage Width	b3	in(mm)	40.9(1038)
	4.16	Distance between Fork-Arms	b5	in (mm)	8.9-39.7(226-1008)
	4.17	Ground Clearance, laden, below mast	m1	in (mm)	3(75)
	4.18	Ground Clearance, centre of wheelbase	m2	in (mm)	5.1(130)
	4.19.1	Aisle Width for Pallets 39" x 47" Crossways	Ast	in (mm)	142.4(3617)
	4.19.2	Aisle Width for Pallets 31.5" x 47" Lengthways	Ast	in (mm)	150.3(3817)
4.20	Turning Radius	Wa	in(mm)	80.7(2050)	
4.21	Minimum Plotting Distance	b13	in(mm)	23.4(595)	
Performance Data	5.1	Travel Speed, laden/unladen	mph (km/h)	10.9/11.5 (17.5/18.5)	
	5.2	Lift Speed, laden/unladen	ft/min (m/s)	122/128 (0.62/0.65)	
	5.3	Lowering Speed, laden/unladen	ft/min (m/s)	88.6/98.4 (0.45/0.50)	
	5.4	Drawbar Pull, laden/unladen	N	23000/9000	
	5.5	Gradeability, laden/unladen	%	30/21	
	5.6	Service Brake		Hydraulic	
	5.7	Parking Brake		Mechanical	
Combustion Engine	6.1	Engine Manufacturer/Type		GCT GK25 LPG CERT	
	6.2	Engine Power	hp (kW)	61.4(45.8)	
	6.3	Rated Speed	r/min	2700	
	6.4	Number of Cylinders/Displacement	(-)/(cm ³)	4/2488	
	6.5	Generator	V	12	
	6.6	Vehicle Electrical System Voltage	V	12	
	6.7	Battery Voltage/Nominal Capacity	V/Ah	12/60	
	6.8	Rated Torque	N·m/r/min	187/1600	
	6.9	Transmission Manufacturer		OKAMURA	
	6.10	Transmission Type		Powershift	
	6.11	Stage FWD/RVS		1/1	
Additional Data	7.1	Operating Pressure for Attachments	psi (MPa)	2538(17.5)	
	7.2	Hydraulic Tank - Capacity (drain & refill)	gal (liter)	11(42)	
	7.3	Fuel Tank Capacity	gal (liter)	NA	

*Forklifts equipped with the Quad Mast require a Class II carriage and forks.



$$Ast=L6+X+Wa+a \quad a=200$$

